

# YSF

## Locknut



Material	Manufacturing Method	Thread Accuracy	Run Out
SCM440(42CrMo4) Tempered	Precision Grinding	ISO 4H	M14~200 : 0.002mm

Hardness	Manufacturing Method	Thread Accuracy	Run Out
HRC 28° ~ 32°	Precision Turning	ISO 4H	M14~200 : 0.005mm M210~300 : 0.007mm

### Features

#### 30° Thread Angle Design

The 30° thread angle design effectively prevents any loosening.

#### 3 Point Locking

Using a 3 point locking mechanism provides a more secure fastening effect.

#### Excellent Locking Design

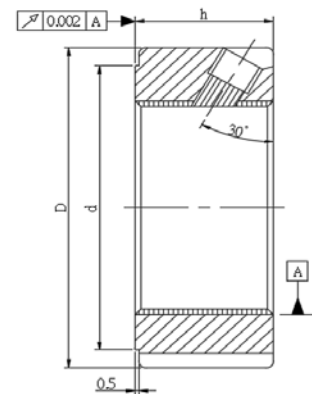
The excellent locking design allows the brass threads to fully match the external threads.

#### Reduce Torque Issues

The 30° angle design helps reduce torque issues caused by loose screws, improving safety and stability.



## YSF Specifications



Thread	D	h	d	n-t x g	m	MAX Nm
YSF M14x1.5	30	14	25	3-4x2	M5	4.5
YSF M15x1	30	14	25	3-4x2	M5	4.5
YSF M16x1.5	30	14	25	3-4x2	M5	4.5
YSF M17x1	32	16	27	3-4x2	M5	4.5
YSF M18x1.5	32	16	27	3-4x2	M5	4.5
YSF M20x1	38	16	33	3-4x2	M6	4.5
YSF M20x1.5	38	16	33	3-4x2	M6	8
YSF M22x1.5	38	16	33	3-4x2	M6	8
YSF M24x1.5	38	18	33	3-5x2	M6	8
YSF M25x1.5	38	18	33	3-5x2	M6	8
YSF M27x1.5	40	18	35	3-5x2	M6	8
YSF M30x1.5	45	18	40	3-5x2	M6	8
YSF M33x1.5	50	18	45	3-5x2	M6	8
YSF M35x1.5	52	18	47	3-5x2	M8	18
YSF M36x1.5	52	18	47	3-5x2	M8	18
YSF M39x1.5	58	20	52	3-6x2.5	M8	18
YSF M40x1.5	58	20	52	3-6x2.5	M8	18
YSF M42x1.5	62	20	56	3-6x2.5	M8	18
YSF M45x1.5	65	20	59	3-6x2.5	M8	18
YSF M48x1.5	70	20	64	3-6x2.5	M8	18
YSF M50x1.5	70	20	64	3-6x2.5	M8	18
YSF M52x1.5	73	22	66	3-7x3	M8	18
YSF M55x1.5	75	22	68	3-7x3	M8	18
YSF M55x2	75	22	68	3-7x3	M8	18
YSF M56x2	75	22	68	3-7x3	M8	18
YSF M60x2	80	22	73	3-7x3	M8	18
YSF M64x2	85	22	78	3-7x3	M8	18
YSF M65x2	85	22	78	3-7x3	M8	18
YSF M68x2	92	24	84	3-8x3.5	M8	18
YSF M70x2	92	24	84	3-8x3.5	M8	18
YSF M72x2	94	24	86	3-8x3.5	M8	18
YSF M75x2	98	24	90	3-8x3.5	M8	18
YSF M76x2	98	24	90	3-8x3.5	M8	18

Thread	D	h	d	n-t x g	m	MAX Nm
YSF M80x2	105	24	96	3-8x3.5	M8	18
YSF M85x2	110	24	102	6-8x3.5	M8	18
YSF M90x2	120	26	108	6-10x4	M8	18
YSF M95x2	125	26	113	6-10x4	M8	18
YSF M100x2	130	26	118	6-10x4	M8	18
YSF M105x2	140	28	125	6-10x4	M10	35
YSF M110x2	145	28	132	6-10x4	M10	35
YSF M115x2	150	28	137	6-10x4	M10	35
YSF M120x2	155	30	142	6-12x5	M10	35
YSF M125x2	160	30	147	6-12x5	M10	35
YSF M130x2	165	30	152	6-12x5	M10	35
YSF M135x2	175	32	160	6-12x5	M10	35
YSF M140x2	180	32	165	6-12x5	M10	35
YSF M145x2	190	32	175	6-12x5	M10	35
YSF M150x2	195	32	180	6-12x5	M10	35
YSF M155x3	200	34	180	6-14x6	M10	35
YSF M160x3	210	34	190	6-14x6	M10	35
YSF M165x3	210	34	190	6-14x6	M10	35
YSF M170x3	220	34	200	6-14x6	M10	35
YSF M180x3	230	36	205	6-16x7	M12	60
YSF M190x3	240	36	215	6-16x7	M12	60
YSF M200x3	250	38	225	6-16x7	M12	60
YSF M210x3	260	38	245	6-16x7	M12	60
YSF M220x3	270	38	255	6-16x7	M12	60
YSF M230x3	280	40	258	6-16x9	M12	60
YSF M240x3	290	40	268	6-16x9	M12	60
YSF M250x3	300	40	278	6-16x9	M12	60
YSF M260x4	310	40	288	6-20x10	M14	100
YSF M270x4	320	40	298	6-20x10	M14	100
YSF M280x4	330	40	308	6-20x10	M14	100
YSF M290x4	340	42	315	6-22x11	M14	100
YSF M300x4	350	42	325	6-22x11	M14	100

# YSR

## Locknut



Material	Manufacturing Method	Thread Accuracy	Run Out
SCM440(42CrMo4) Tempered	Precision Grinding	ISO 4H	M6~200 : 0.002mm

Hardness	Manufacturing Method	Thread Accuracy	Run Out
HRC28° ~32°	Precision Turning	ISO 4H	M6~200 : 0.005mm M210~300 : 0.007mm

### Features

#### 3-way Radial Locking

Utilizes a radial three-point locking mechanism to ensure a secure locking effect

#### Suitable for situations where locknut space is limited

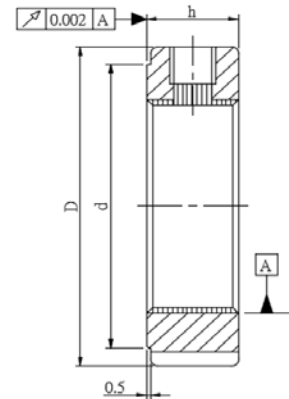
Especially suitable for applications where the locknut space is limited, making it impossible to use other thicker products

#### Thin Design

This product is thinner than others, making it suitable for when installation space is limited.



## YSR Specifications



Thread	D	h	g	t	d	n - m	MAX Nm
YSR M6x0.5	16	8	3	2	11	2-M4	2.2
YSR M8x0.75	16	8	3	2	11	2-M4	2.2
YSR M10x0.75	18	8	3	2	13	2-M4	2.2
YSR M10x1	18	8	3	2	13	2-M4	2.2
YSR M12x1	20	8	3	2	15	2-M4	2.2
YSR M12x1.25	20	8	3	2	15	2-M4	2.2
YSR M14x1.5	25	8	3	2	20	2-M4	2.2
YSR M15x1	25	8	3	2	20	2-M4	2.2
YSR M16x1.5	28	10	4	2	23	2-M5	4.5
YSR M17x1	28	10	4	2	23	2-M5	4.5
YSR M18x1.5	30	10	4	2	25	2-M5	4.5
YSR M20x1	32	10	4	2	27	3-M5	4.5
YSR M20x1.5	32	10	4	2	27	3-M5	4.5
YSR M22x1.5	35	10	4	2	30	3-M5	4.5
YSR M24x1.5	38	12	5	2	33	3-M6	8
YSR M25x1.5	38	12	5	2	33	3-M6	8
YSR M27x1.5	42	12	5	2	37	3-M6	8
YSR M30x1.5	45	12	5	2	40	3-M6	8
YSR M33x1.5	52	12	5	2	45	3-M6	8
YSR M35x1.5	52	12	5	2	47	3-M6	8
YSR M36x1.5	55	14	6	2.5	49	3-M6	8
YSR M39x1.5	58	14	6	2.5	52	3-M6	8
YSR M40x1.5	58	14	6	2.5	52	3-M6	8
YSR M42x1.5	62	14	6	2.5	56	3-M6	8
YSR M45x1.5	65	14	6	2.5	59	3-M6	8
YSR M48x1.5	68	14	6	2.5	62	3-M6	8
YSR M50x1.5	70	14	6	2.5	64	3-M8	18
YSR M52x1.5	73	16	7	3	66	3-M8	18
YSR M55x1.5	75	16	7	3	68	3-M8	18
YSR M55x2	75	16	7	3	68	3-M8	18
YSR M56x2	77	16	7	3	70	3-M8	18
YSR M60x2	80	16	7	3	73	3-M8	18
YSR M64x2	85	16	7	3	78	3-M8	18
YSR M65x2	85	16	7	3	78	3-M8	18
YSR M68x2	92	18	8	3.5	84	3-M8	18
YSR M70x2	92	18	8	3.5	84	3-M8	18

Thread	D	h	g	t	d	n - m	MAX Nm
YSR M72x2	95	18	8	3.5	86	3-M8	18
YSR M75x2	98	18	8	3.5	90	3-M8	18
YSR M76x2	100	18	8	3.5	92	3-M8	18
YSR M80x2	105	18	8	3.5	96	3-M8	18
YSR M85x2	110	18	8	3.5	102	3-M8	18
YSR M90x2	120	20	10	4	108	3-M8	18
YSR M95x2	125	20	10	4	113	3-M8	18
YSR M100x2	130	20	10	4	118	3-M8	18
YSR M105x2	140	22	12	5	125	3-M8	18
YSR M110x2	145	22	12	5	132	3-M8	18
YSR M115x2	150	22	12	5	137	3-M8	18
YSR M120x2	155	24	12	5	142	3-M8	18
YSR M125x2	160	24	12	5	147	3-M8	18
YSR M130x2	165	24	12	5	152	3-M8	18
YSR M135x2	175	26	14	6	160	3-M10	35
YSR M140x2	180	26	14	6	165	3-M10	35
YSR M145x2	190	26	14	6	175	3-M10	35
YSR M150x2	195	26	14	6	180	3-M10	35
YSR M155x3	200	28	16	7	180	3-M10	35
YSR M160x3	210	28	16	7	190	3-M10	35
YSR M165x3	210	28	16	7	190	3-M10	35
YSR M170x3	220	28	16	7	200	3-M10	35
YSR M180x3	230	30	18	8	205	3-M12	60
YSR M190x3	240	30	18	8	215	3-M12	60
YSR M200x3	250	32	18	8	225	3-M12	60
YSR M210x3	260	32	18	8	240	3-M12	60
YSR M220x3	270	32	18	8	250	3-M12	60
YSR M230x3	280	34	20	9	258	3-M12	60
YSR M240x3	290	34	20	9	268	3-M12	60
YSR M250x3	300	34	20	9	278	3-M12	60
YSR M260x4	310	34	22	10	288	3-M14	100
YSR M270x4	320	34	22	10	298	3-M14	100
YSR M280x4	330	34	22	10	308	3-M14	100
YSR M290x4	340	36	24	11	315	3-M14	100
YSR M300x4	350	36	24	11	325	3-M14	100

# YSRN

## Locknut



Material	Hardness	Manufacturing Method	Thread Accuracy	Run Out
S45C(C45E4) Tempered	HRC 26° ~ 28°	Precision Turning	ISO 4H	M5~40 : 0.005mm

## Features

### Square Shape Design

The YSRN nut is designed with a square appearance, which may provide better grip and fastening.

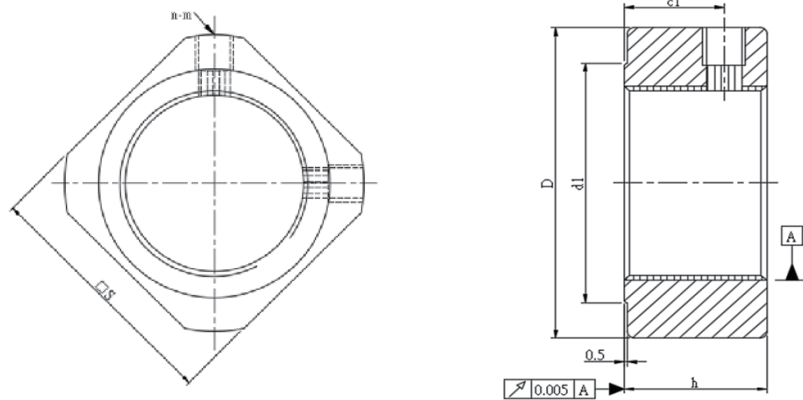
### 2 Point Locking Screws in a 90° Position

The nut is fixed at a 90° angle using two locking screws, making it suitable for bearing seat support.

### Internal threads and end surfaces are machined simultaneously

Internal threads and end surfaces are machined simultaneously to ensure high accuracy.





Thread	D	h	d1	n-m	c1	S	MAX Nm
YSRN M5x0.5P	12.5	5	8	2-M3	2.7	11	0.9
YSRN M6x0.75P	13.5	5	9	2-M3	2.7	12	0.9
YSRN M8x1.0P	16	6.5	11	2-M3	4	14	0.9
YSRN-M10x1.0P	19	8	13	2-M3	5.5	16	0.9
YSRN M12x1.0P	22	8	16	2-M4	5.5	19	2.2
YSRN M15x1.0P	25	8	19	2-M4	4.75	22	2.2
YSRN M17x1.0P	29	13	21	2-M4	9	24	2.2
YSRN M20x1.0P	35	11	27	2-M4	7	30	8.0
YSRN M25x1.5P	43	15	32	2-M6	10	35	8.0
YSRN M30x1.5P	48	20	37	2-M6	14	40	8.0
YSRN M35x1.5P	60	21	47	2-M6	14	50	8.0
YSRN M40x1.5P	62	25	47	2-M6	18	50	8.0

